

Text for tender documents, product description

CAEMA Rite-Hite Hydraulic Dock Leveller with Hinge Lip

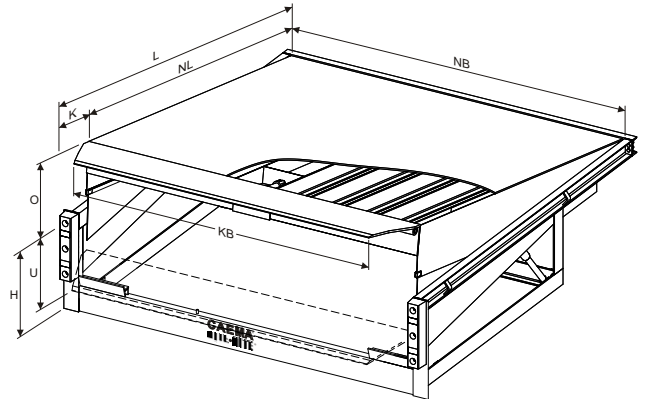
Model: CHKB-S 8000

Hinge Lip 400 mm / Option: Hinge Lip 500 mm

Dimensions:

Nominal width	NB:	XXXX mm
Nominal length	NL:	XXXX mm
Hinge lip extended	K :	400 mm
Tapered lip	KB:	XXXX mm
Total length	L :	NL+K mm
Service range up	O :	XXXX mm
Service range down	U :	XXXX mm
Closed height	H :	XXXX mm
Capacity	T :	XXXX kN

(XXXX see quotation or tender document)



Dock Leveller CHKB-S 8000	NL (mm)	K (mm)	L (mm)	O (mm)	U (mm)	H (mm)	NB (mm)	KB* (mm)	Tapered Lip (mm)	
	2000	400	2400	400	350	600	(o.r.) 1500	1500	Option	
	2500	400	2900	400	350	600	1750	1750	Option	
	3000	400	3400	400	350	600	2000	2000	Option	
	3500	400	3900	530	375	700	2250	2000	2/125/330	
	4000	400	4400	530	375	700	2400	2000	2/200/330	
add-on	4500	400	4900	530	375	700	(o.r.) on request			
							KB* applies for all nominal lengths (NL)			

Standard Features:

CE and GS certificated
 Compliant with BGR 233 and EN 1398
 SMOOTH REAR HINGE TRANSITION
 Anti-slip deck plate, tread plate
 Hydraulic system includes:
 • Hydraulic emergency stop
 • Automatic height adjustment
 Electrical system includes:
 • Dock control, 400/230V, 24V secondary voltage
 • Automatic stop after power failure or emergency stop
 • Power cables adjusted to pit size
 Steel construction painted RAL 7016
 Yellow/black warning stripes on integral toeguard
 2 Rubber bumpers 400x90x80 mm

Options:

- Dock control with automatic return
- Hinge lip with 500 mm length
- Tapered lip for NB ≤ 2000 mm
- Dock box
- Zinc-plated finish
- Weatherseals
- Foam insulation - Styrodur
- IGLU 1600 insulation - ISO panel
- Abrasive ramp surface - KVS
- RAL colour of choice
- Rubber bump. 500x250x80 mm
- Rubber bump. 500x250x140 mm
- Steel bumper model _____
- Other: _____

Remark: Other dimensions, features and options are available on request!